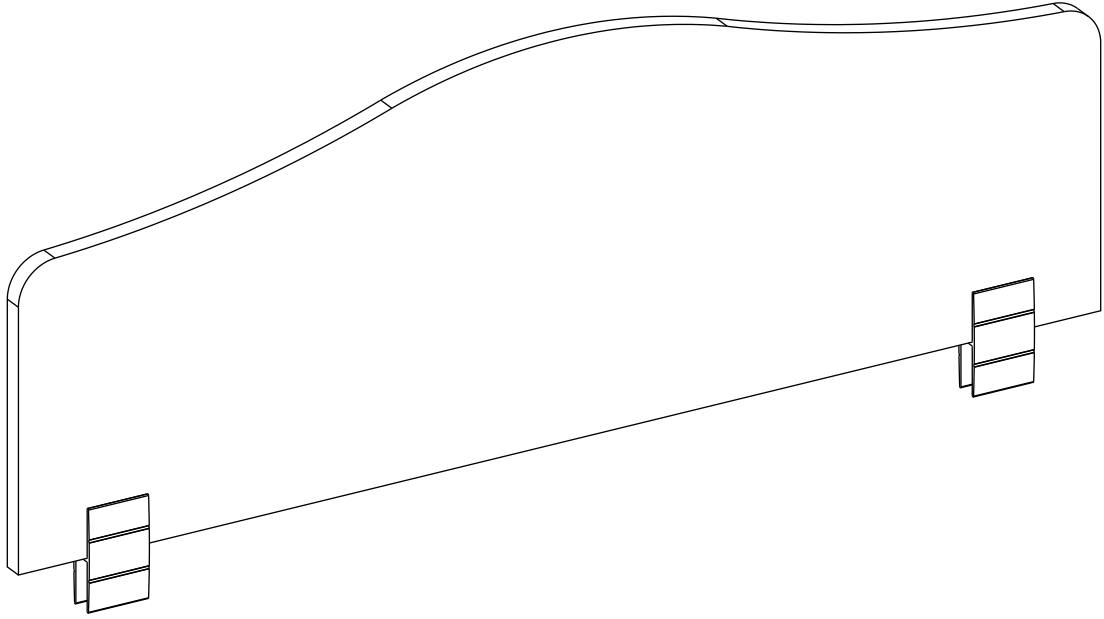
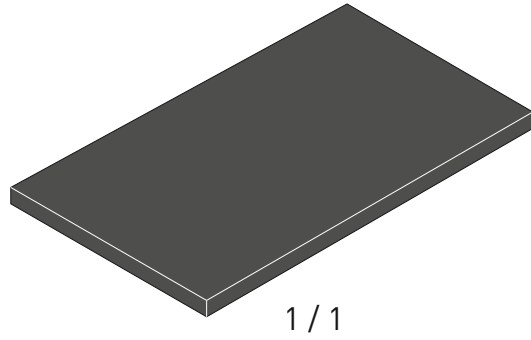


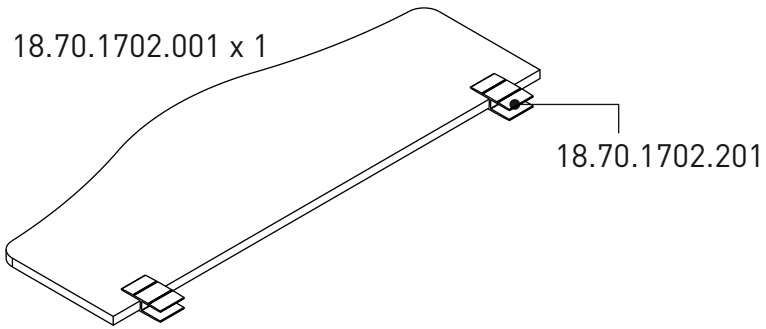
20.70.1702.00



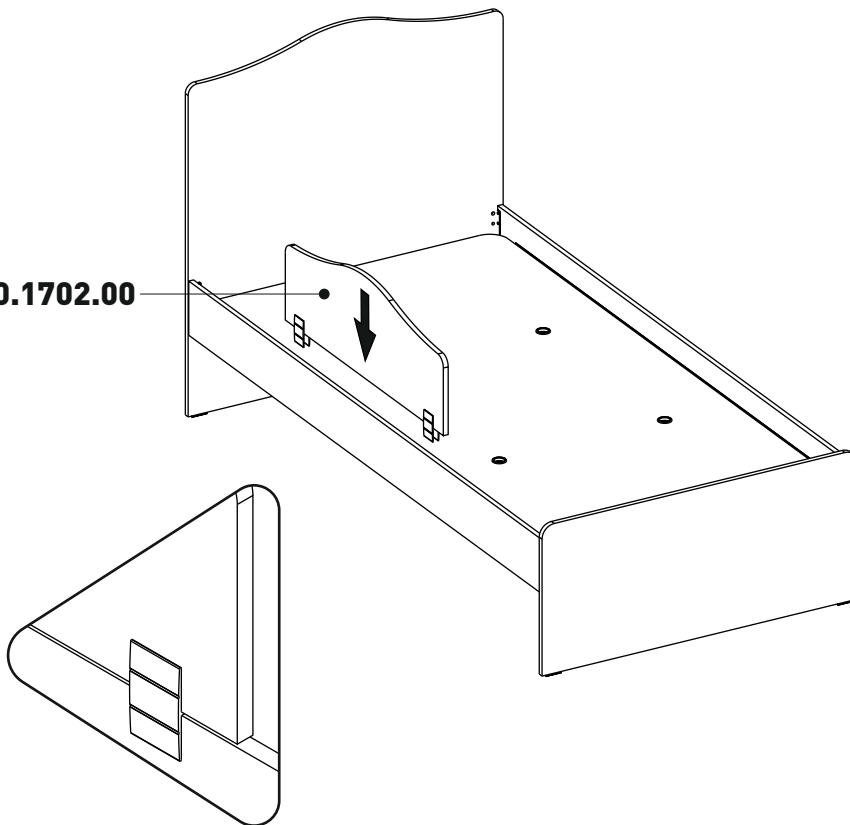


1 / 1

1 / 1



20.70.1702.00



20.70.1301.00
20.70.1302.00
20.70.1303.00